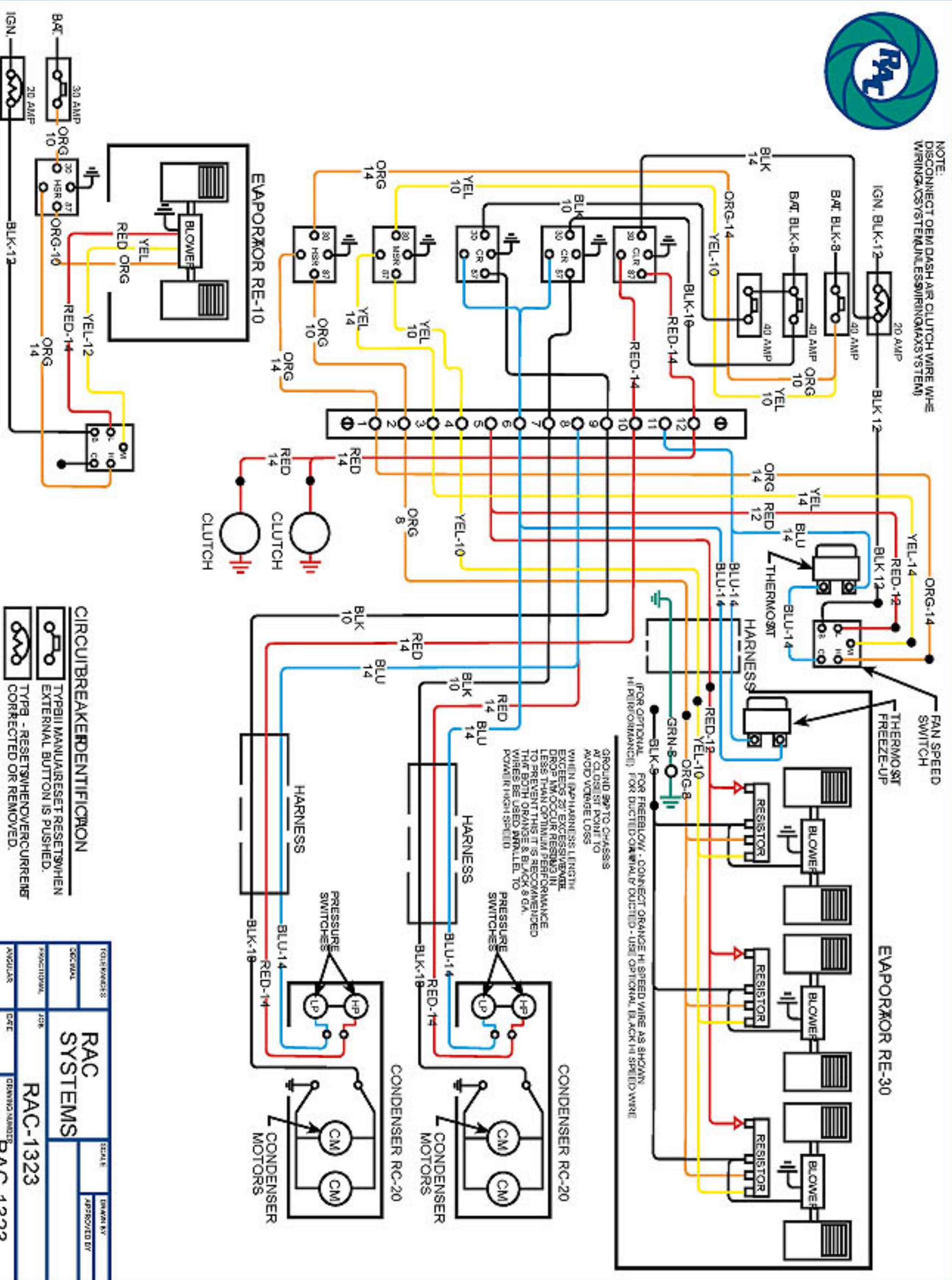




NOTE:
DISCONNECT OEM DASH AIR CLUTCH WIRE WHEN
WIRING AOS SYSTEM (L.E.S.S. W/IN A MAX SYSTEM)



EVAPORATOR RE-30

CONDENSER RC-20

CONDENSER RC-20

CONDENSER MOTORS

CIRCUIT BREAKER IDENTIFICATION

- TYPICAL MANUAL RESET RESET SWITCH
- EXTERNAL BUTTON IS PUSHED.
- TYPE - RESET WHEN OVERCURRENT CORRECTED OR REMOVED.

FIGURE NO.	1323	SCALE	AS SHOWN
REVISION		DATE	
RAC SYSTEMS		RAC-1323	
DESIGNED BY		APPROVED BY	
DRAWN NUMBER			
RAC-1323		RAC-1323	