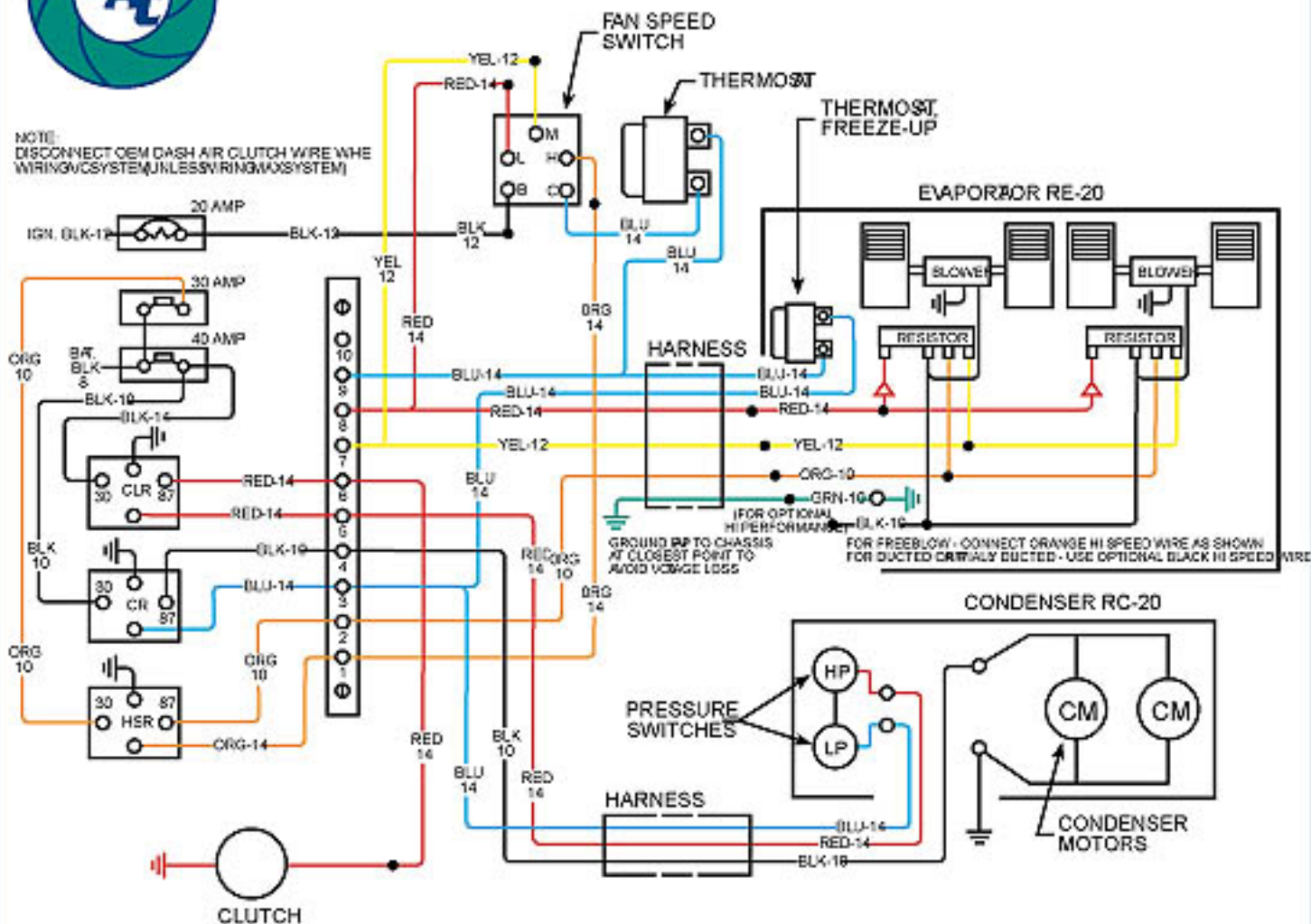
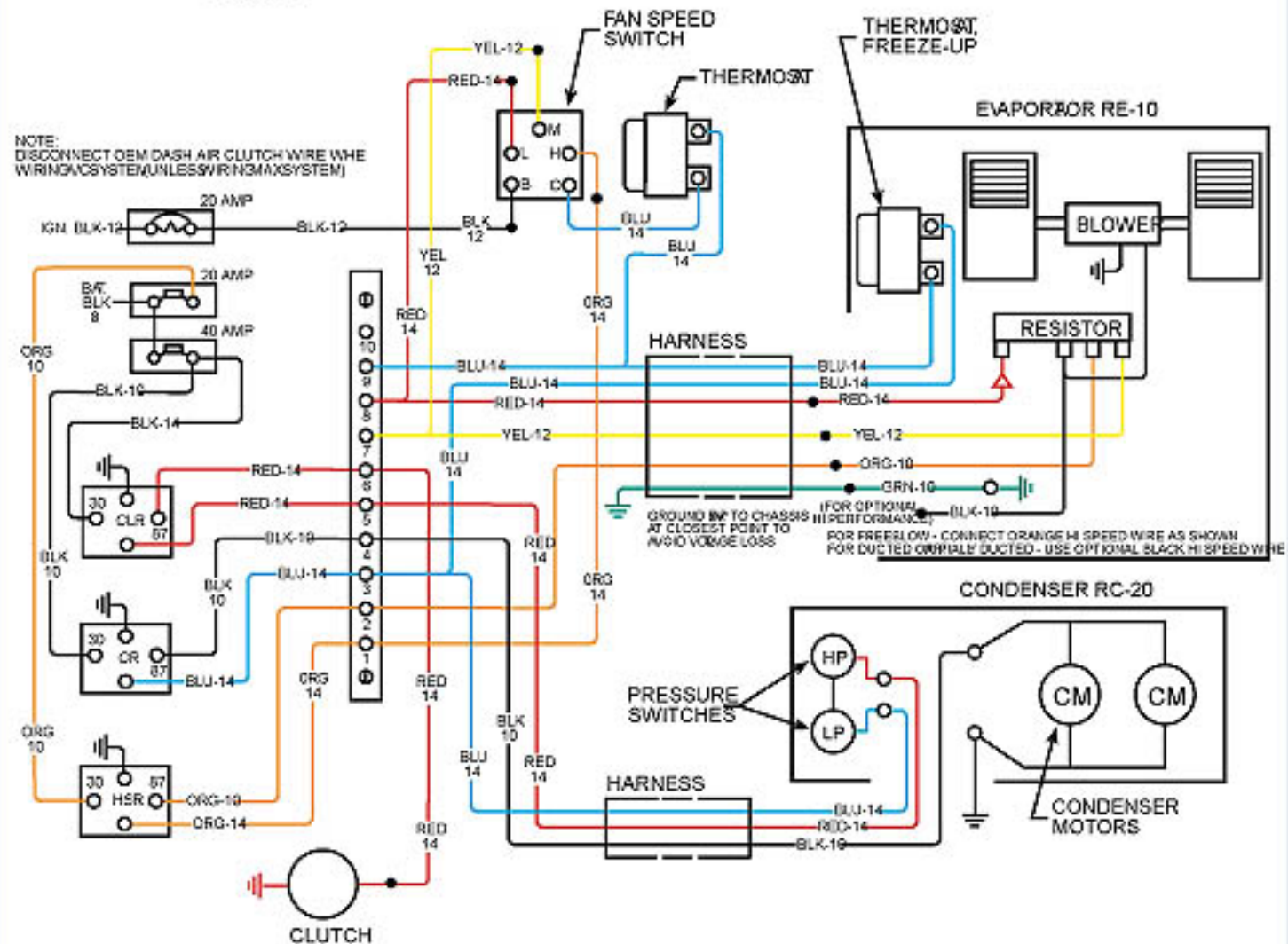




NOTE:
DISCONNECT OEM DASH AIR CLUTCH WIRE WHE
WIRING/C SYSTEM (UNLESS WIRING MAX SYSTEM)



NOTE:
DISCONNECT OEM DASH AIR CLUTCH WIRE WHE
WIRING/C SYSTEM (UNLESS WIRING MAX SYSTEM)



CIRCUITBREAKER COLOR CODE
20 AMP-YELLOW DOT
30 AMP-GREEN DOT
40 AMP-RED DOT

CIRCUITBREAKER IDENTIFICATION
 TYPE 1 - MANUAL RESET RESET WHEN EXTERNAL BUTTON IS PUSHED.
 TYPE 2 - RESET WHEN OVERCURRENT CORRECTED OR REMOVED.

REVISION:	RAC SYSTEMS	DATE:	DESIGNED BY:
APPROVED:			APPROVED BY:
TITLE:	WIRING DIAGRAM RAC-1222		
PROJECT:	001	DATE/ISSUED:	RAC-1222