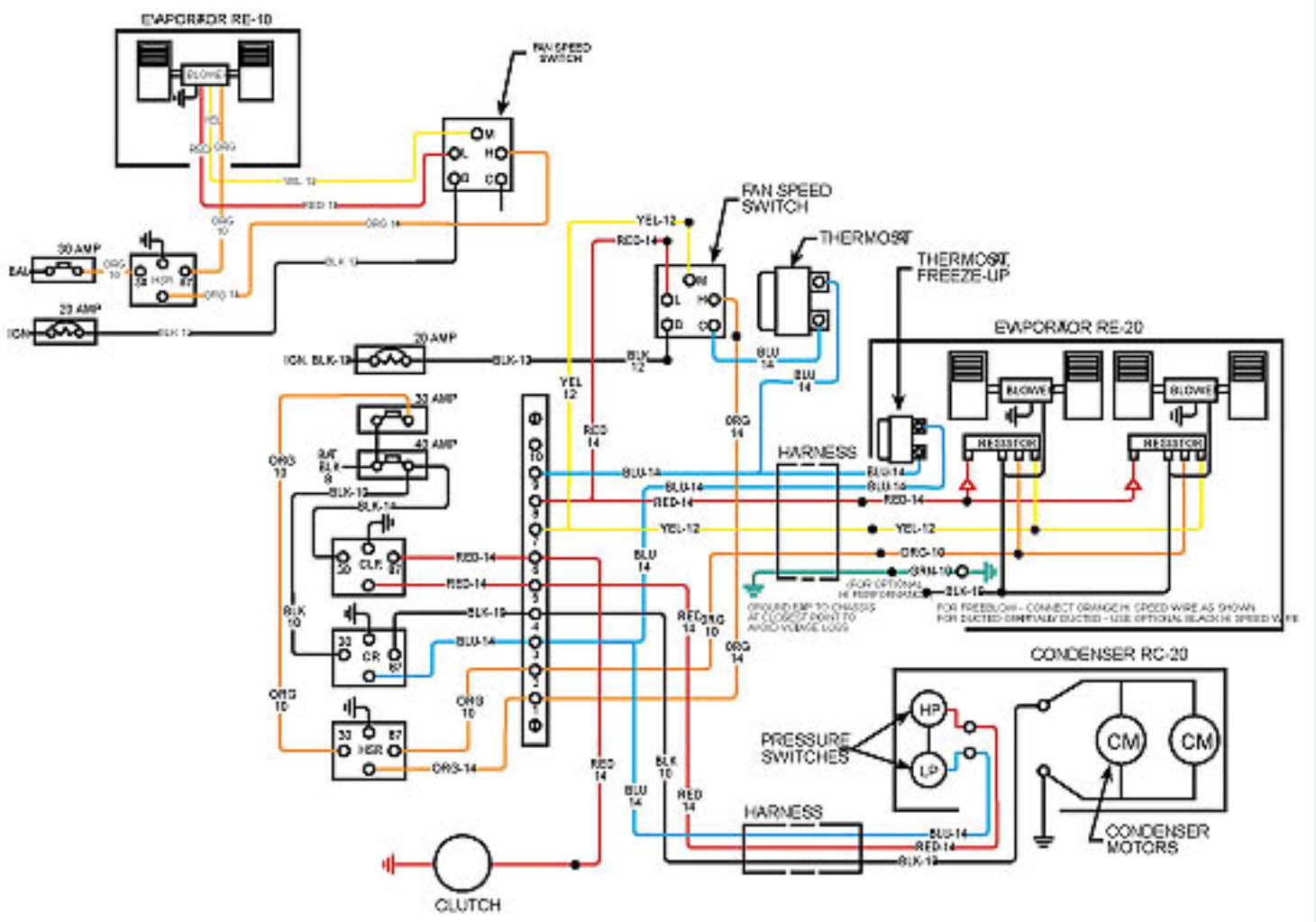
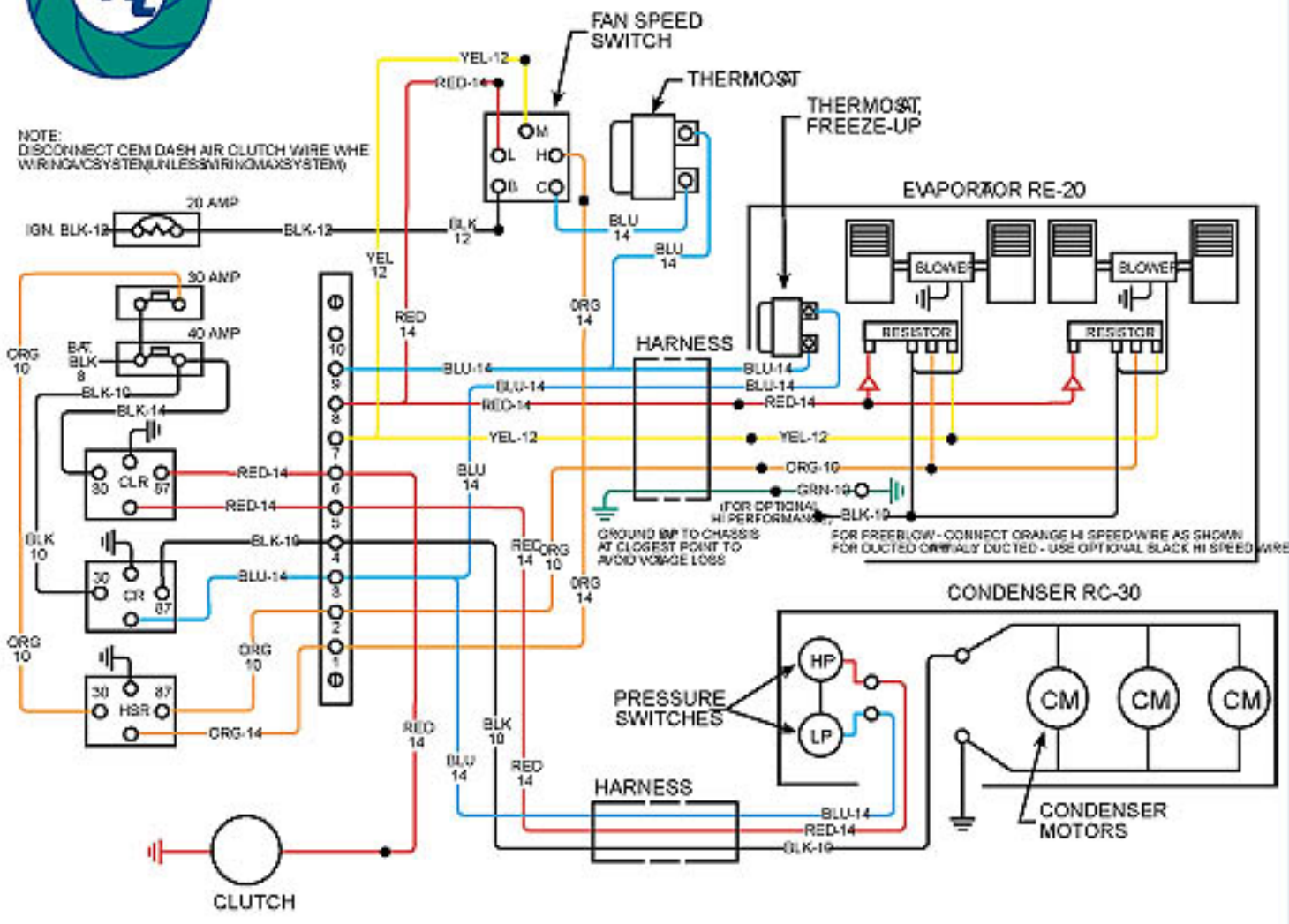




NOTE:
DISCONNECT CEM DASH AIR CLUTCH WIRE WHE
WIRING A/C SYSTEM (UNLESS WIRING MAX SYSTEM)



CIRCUITBREAKER COLOR CODE
20 AMP-YELLOW DOT
30 AMP-GREEN DOT
40 AMP-RED DOT

CIRCUITBREAKER IDENTIFICATION

- TYPE I - MANUAL RESET RESETS WHEN EXTERNAL BUTTON IS PUSHED.
- TYPE II - RESETS WHEN OVERCURRENT IS CORRECTED OR REMOVED.

DATE	REV	DESCRIPTION
		RAC SYSTEMS
		WIRING DIAGRAM RAC-12233
		RAC-12233