

Rifled Air Conditioning, Inc.  
 2810 Earham Pl High Point NC 336-434-1000  
**RAC 12233 Diagram for WHITE (front)**  
**Electrical Panel. RE-21 & RE-11 Evaps,**  
**RC 30 Cond. for TBB C2**

RE-11 Evap Harness Connector Block

IN	Evap Low Press Sw Loop
OUT	To Evap High Speed
	To Evap Med Speed
	To Evap Low Speed

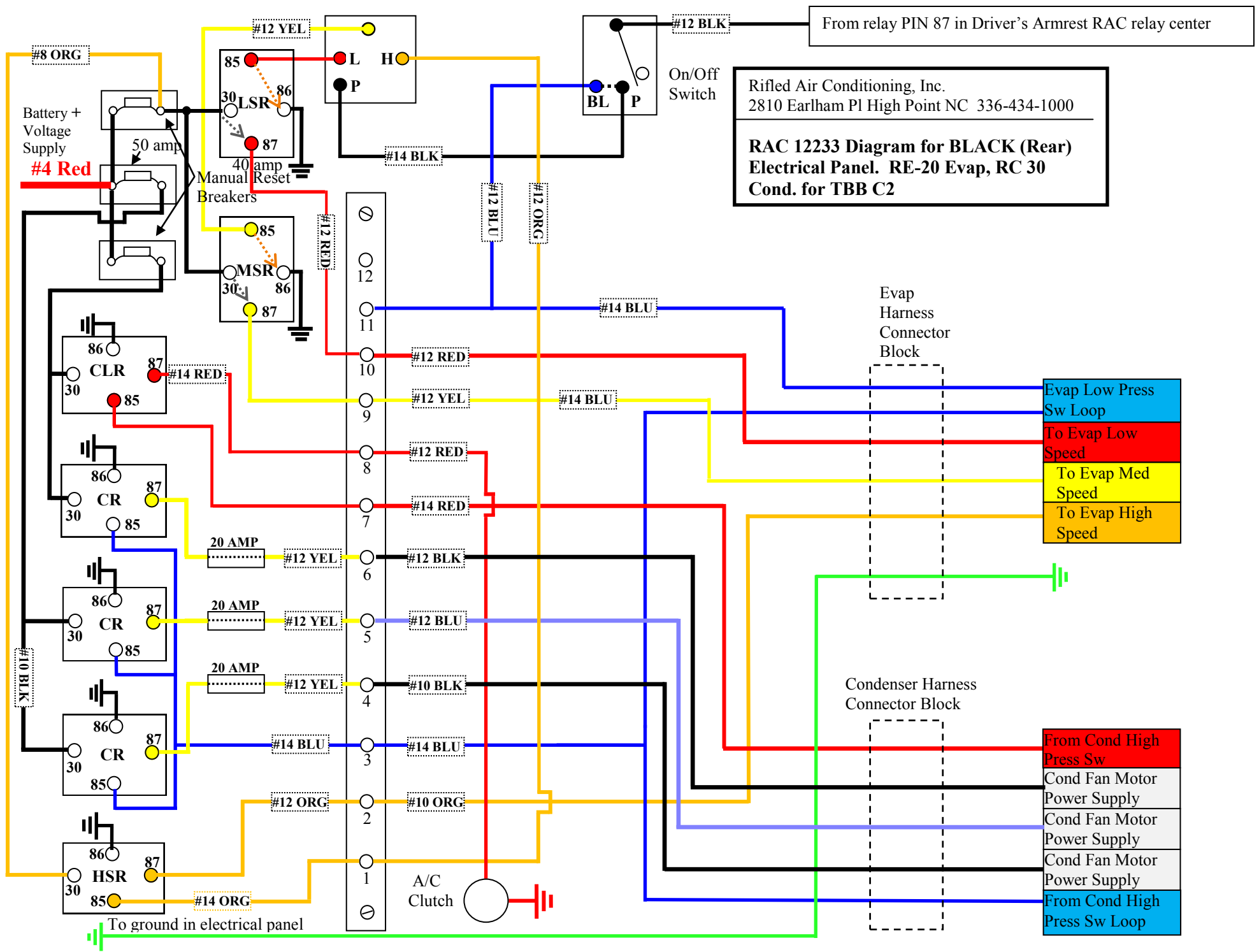
RE-21 Evap Harness Connector Block

IN	Evap Low Press Sw Loop
OUT	To Evap Low Speed
	To Evap Med Speed
	To Evap High Speed

RC-30 Condenser Harness Connector Block

OUT	From Cond High Press Sw
	Cond Fan Motor Power Supply
	Cond Fan Motor Power Supply
	Cond Fan Motor Power Supply
IN	To Cond High Press Sw Loop

To ground in electrical panel



Rifled Air Conditioning, Inc.  
 2810 Earham Pl High Point NC 336-434-1000

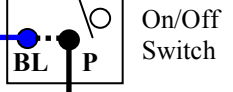
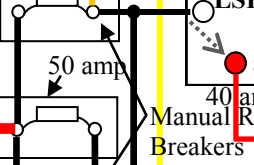
**RAC 12233 Diagram for BLACK (Rear) Electrical Panel. RE-20 Evap, RC 30 Cond. for TBB C2**

From relay PIN 87 in Driver's Armrest RAC relay center

- Evap Low Press Sw Loop
- To Evap Low Speed
- To Evap Med Speed
- To Evap High Speed

- From Cond High Press Sw
- Cond Fan Motor Power Supply
- Cond Fan Motor Power Supply
- Cond Fan Motor Power Supply
- From Cond High Press Sw Loop

Battery + Voltage Supply



To ground in electrical panel