

Rifled Air Conditioning, Inc.
 2810 Earlhams PI High Point NC 336-434-1000
RAC 12241 Diagram for WHITE (front)
Electrical Panel. RE-21 & RE-11 Evaps,
RC 41 Condenser

RE-11 Evap
 Harness Connector
 Block

IN
Evap Low Press Sw Loop
OUT
To Evap High Speed
To Evap Med Speed
To Evap Low Speed

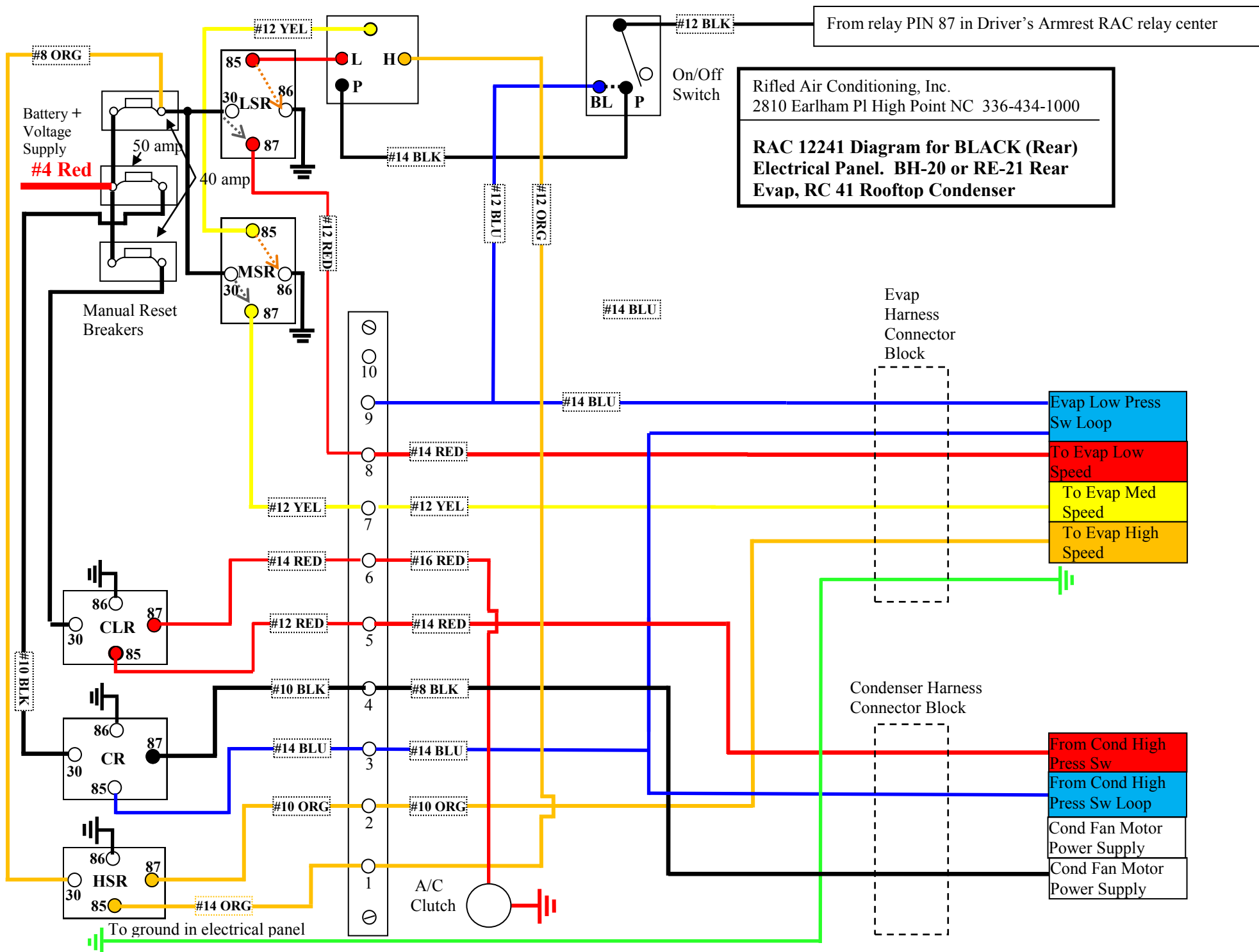
RE-21 Evap Harness
 Connector Block

IN
Evap Low Press Sw Loop
OUT
To Evap Low Speed
To Evap Med Speed
To Evap High Speed

Condenser Harness
 Connector Block

IN
From Cond High Press Sw
OUT
To Cond High Press Sw Loop
Cond Fan Motor Power Supply
Cond Fan Motor Power Supply

To ground in electrical panel



Rifled Air Conditioning, Inc.
 2810 Earham Pl High Point NC 336-434-1000

RAC 12241 Diagram for BLACK (Rear) Electrical Panel. BH-20 or RE-21 Rear Evap, RC 41 Rooftop Condenser

From relay PIN 87 in Driver's Armrest RAC relay center

- Evap Low Press Sw Loop
- To Evap Low Speed
- To Evap Med Speed
- To Evap High Speed

- From Cond High Press Sw
- From Cond High Press Sw Loop
- Cond Fan Motor Power Supply
- Cond Fan Motor Power Supply

#4 Red

To ground in electrical panel