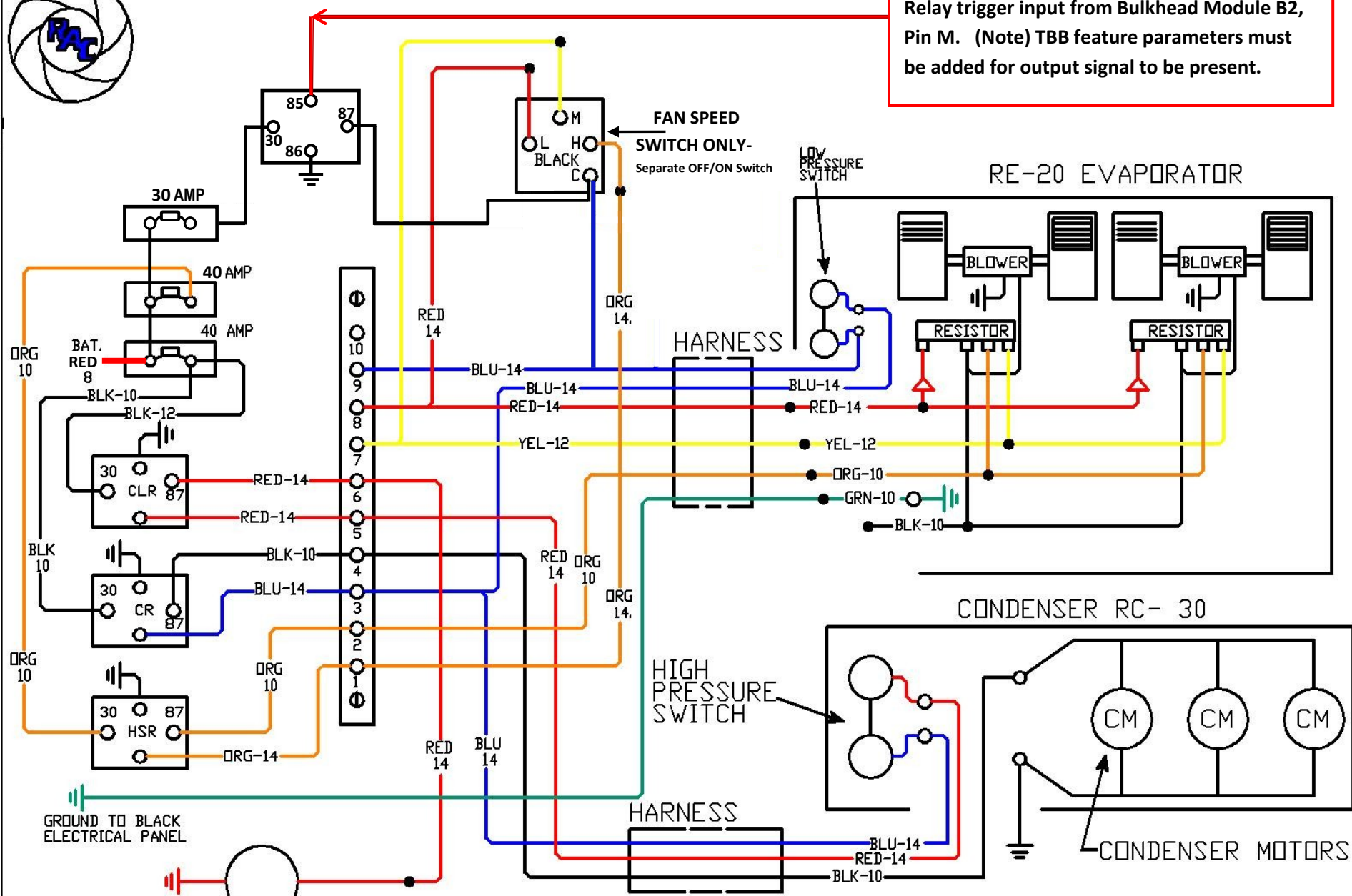




Relay trigger input from Bulkhead Module B2, Pin M. (Note) TBB feature parameters must be added for output signal to be present.



CIRCUIT BREAKER IDENTIFICATION



TYPE II MANUAL RESET-RESET WHEN EXTERNAL BUTTON IS PUSHED.



TYPE I- RESETS WHEN OVERCURRENT IS CORRECTED OR REMOVED.

TOLERANCES:	RAC SYSTEMS	SCALE:	DRAWN BY:
DETAIL:		APPROVED BY:	
FRACTIONAL:	With DASH AIR TIE-IN INPUT	DRAWING COUNT:	1
ANGULAR:		REV-1	DRAWING NUMBER: