

Rifled Air Conditioning, Inc.
 2810 Earham Pl High Point NC 336-434-1000
RAC BH-12233 Diagram for WHITE
(front) Electrical Panel. RE-21 & RE-11
Evaps, RC 30 Cond. for TBB C2

RE-11 Evap Harness Connector Block

IN	Evap Low Press Sw Loop
OUT	To Evap High Speed
	To Evap Med Speed
	To Evap Low Speed

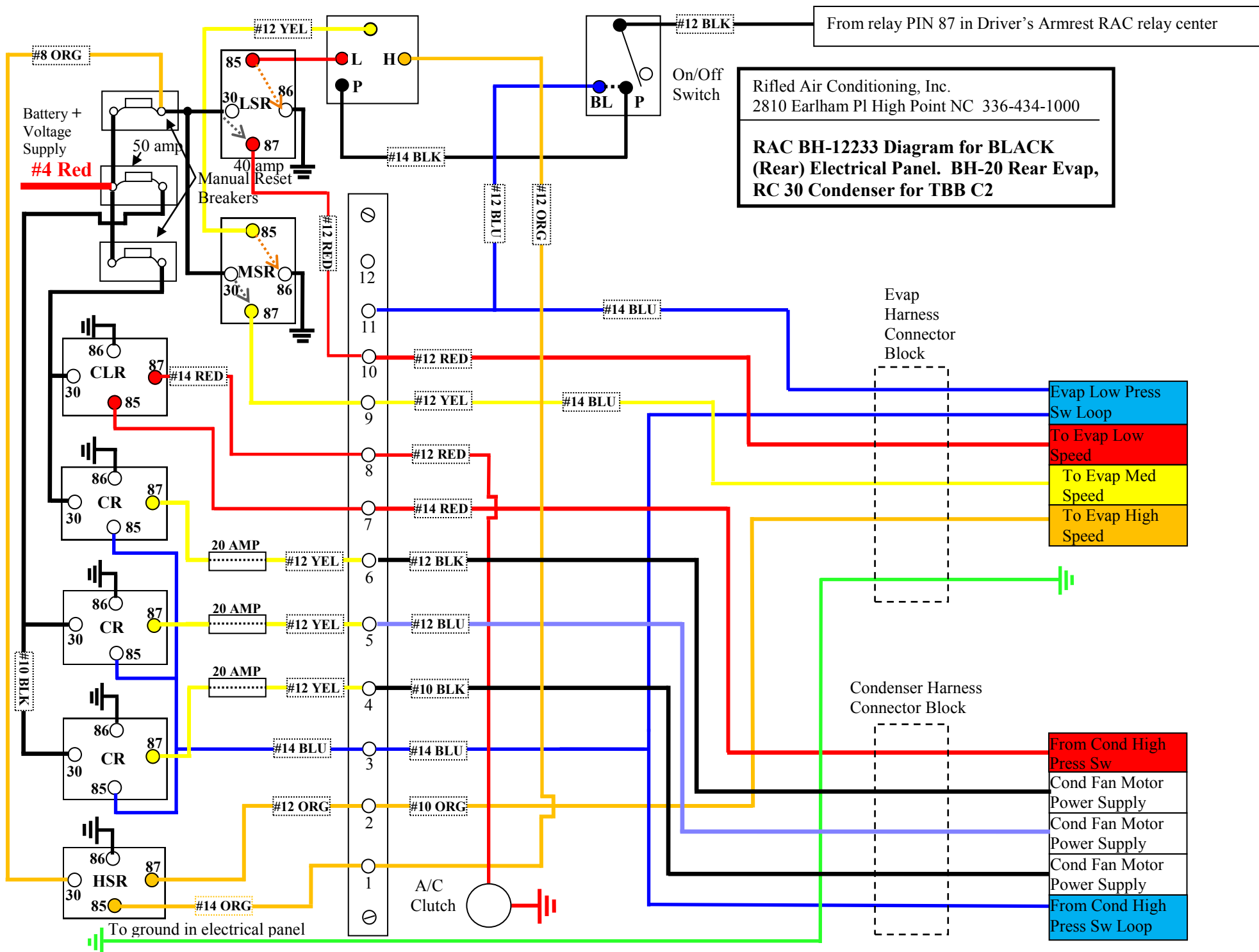
RE-21 Evap Harness Connector Block

IN	Evap Low Press Sw Loop
OUT	To Evap Low Speed
	To Evap Med Speed
	To Evap High Speed

Condenser Harness Connector Block

OUT	From Cond High Press Sw
	Cond Fan Motor Power Supply
	Cond Fan Motor Power Supply
	Cond Fan Motor Power Supply
IN	To Cond High Press Sw Loop

To ground in electrical panel



From relay PIN 87 in Driver's Armrest RAC relay center

Rifled Air Conditioning, Inc.
 2810 Earham Pl High Point NC 336-434-1000

RAC BH-12233 Diagram for BLACK (Rear) Electrical Panel. BH-20 Rear Evap, RC 30 Condenser for TBB C2

- Evap Low Press Sw Loop
- To Evap Low Speed
- To Evap Med Speed
- To Evap High Speed

- From Cond High Press Sw
- Cond Fan Motor Power Supply
- Cond Fan Motor Power Supply
- Cond Fan Motor Power Supply
- From Cond High Press Sw Loop

Battery + Voltage Supply
 #4 Red

Manual Reset Breakers

On/Off Switch

Evap Harness Connector Block

Condenser Harness Connector Block

To ground in electrical panel

A/C Clutch